



20-640
kVA

TELECOM



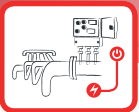
DATACOM



MASS TRANSIT



OIL & GAS



POWER UTILITIES



20 kVA = 20 kW
module

MODULAR UPS

MODULE POWER 20 kVA - 20 kW

INPUT 3x400 Vac + N

OUTPUT 3x400 Vac + N

DESCRIPTION

AGIL is a compact and scalable modular UPS providing a pure sine wave AC supply.

The “Twin Sine Innovation” (TSI) technology ensures independent “hot pluggable and hot swap” modules that include virtually all functions of a conventional UPS (AC/DC, DC/AC, battery charger, Static Switch), eliminating all potential single points of failure.

Up to 32 modules can be installed in parallel to bring the full output power potential to 640 kVA.

APPLICATIONS

All traditional data centers applications that require flexibility in their power needs.

But also a large variety of applications where a multidirectional energy converter is required.

MAIN FEATURES

- »» Selectivity
- »» Versatile charging
- »» Battery sustainability
- »» Harsh AC input conditions
- »» High efficiency, certified by SGS

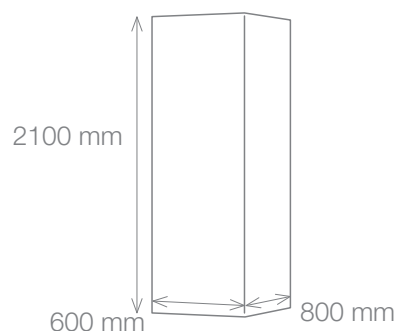
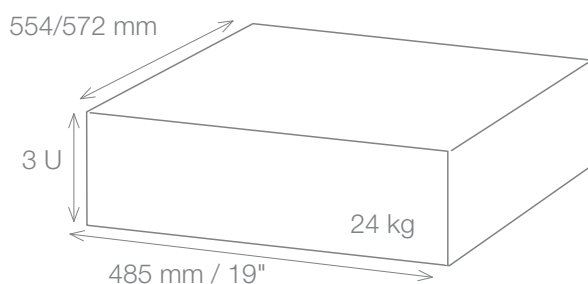


	AGIL Module	AGIL 60	AGIL 160	AGIL 200	AGIL 640
GENERAL					
EMC (immunity)	EN 61000-4-2 / EN 61000-4-3 / EN 61000-4-4 / EN 61000-4-5 / EN 61000-4-6 / EN 61000-4-8				
EMC (emission) (class)	EN 55022 (A)				
Safety	EN 62040-1-1				
EN62040-3 performance level	VFI-SS-111				
MTBF / Cooling	240 000 hrs / Forced				
Efficiency (Typical): Enhanced power conversion / on line	96% / 96% certified by SGS at 45% load				
True Redundant Systems – compliant	3 disconnection levels on AC out and DC in power ports / 4 disconnection levels on AC in port				
Vibration	GR63 office vibration 0 to 100 hz-0.1 g / transport vibration 5-100 Hz 0.5 g 100 to 500 hz-1.5 g / Drop test				
Operating conditions	Designed for installation in an IP20 or IP21 environment. When installed in a dusty or corrosive environment, appropriate measures (air filtering, ...) must be taken.				
Altitude above sea without de-rating	1500m / Above 1500m : 0.8% derating per 100m				
Ambient / storage temperature / relative humidity	-10 to 40 °C / -40 to 70 °C / 95%, non-condensing				
Material (casing)	Coated steel-ALU ZINC-Front plate coated black RAL9005				
AC OUTPUT POWER					
Nominal Output power (VA) / (W)	20 kVA / 20 kW	60 kVA / 60 kW	160 kVA / 160 kW	200 kVA / 200 kW	640 kVA / 640 kW
Short time overload capacity (@PF 0.9)	150% - 15s 130% - 30s 120% - 60s 110% permanent				
Admissible load power factor	Full power rating from 0 inductive to 0 capacitive				
Internal temperature management and switch off	Yes				
DC BATTERY SPECIFICATIONS					
Nominal voltage (DC)	408 Vdc (204 cells VRLA) or 336 cells (NiCd)				
Voltage range (DC)	336 Vdc to 490 Vdc				
Nominal current (at 408 Vdc)	52 A	156 A	416 A	520 A	1664 A
Maximum input current (for 5 second) / voltage ripple	67 A / < 400 mV rms	201 A / < 400m V rms	536 A / < 400m V rms	670 A / < 400m V rms	2144 A / < 400m V rms
Input voltage boundaries	User selectable with T4S interface				
AC INPUT SPECIFICATIONS					
Nominal voltage (AC)	3x380V / 400V / 415V + Neutral 5 wires				
Voltage range (AC)	150 Vac to 275 Vac line to neutral (derating 150 to 220 Vac)				
Conformity range before transfer to DC	Adjustable				
Power factor	> 99%				
Frequency range (selectable) / synchronization range	50 or 60 Hz / range 30 to 70 Hz adjustable				
AC OUTPUT SPECIFICATIONS					
Nominal voltage (AC*)	3x380V / 400V / 415V + Neutral 5 wires for 3 phases				
Frequency / frequency accuracy	50 - 60 Hz / 0.03 %				
Total harmonic distortion (resistive load)	< 1.5 %				
Load impact recovery time	0.4 ms				
Turn on delay	20 s to 40 s depending on the number of module installed				
Nominal current per phase	29 A per phase	87 A per phase	232 A per phase	290 A per phase	928 A per phase
Crest factor at nominal power	2.8 : 1				
Short circuit clear up capacity	5 x I _n for 20 msec - Available while Mains is available at AC input port With magnitude control and management				
Short circuit current on battery, per phase	53 A 20 mS - 38 A Rms 15 Sec.				
IN TRANSFER PERFORMANCE					
Max. voltage interruption / total transient voltage duration (max)	0 s / 0 s				
SIGNALING & SUPERVISION					
Display	Synoptic LED				
Alarms output / supervision	Dry contacts on T4S / MODBUS, TCP-IP, SNMP				
Remote on / off	On rear terminal of the shelf via T4S				
CABINETS					
Dimensions (WxHxD) with external MBP **	19" x 3U x 515 mm	600 x 2100 x 800 mm			2400 x 2100 x 800
Nbr of cabinets	N/A	1	1	1+1 (for external MBP)	3+1 (for external MBP)

TSI AGIL Tri-Tri – Datasheet v2.6 Specifications can change without notice. New data will be updated on our Web site: www.cet-power.com. The present equipment is protected by several international patents, trademarks and copyrights.

* Operation within lower voltage networks leads to de-rating of power performances.

** Other cabinet heights on demand



Illustrations are non-binding and may include customized fittings.